

## Rapid Tapping Saddle Grade 316 Stainless Steel

Our CT tapping saddles provide the ideal solution for a branch connection from existing pipes.

They eliminate the need to “cut in” an off take, as the saddle can be installed around the pipe without disrupting the internal flow and tapped under pressure. This is known as Hot Tapping.

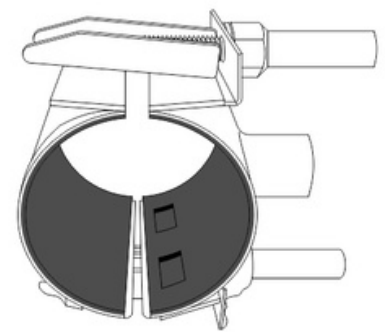
CT Tapping Saddles are suitable for ductile iron, cast iron, Hobas, steel, copper, asbestos cement, PVC, PE, concrete, VC, FRC, and other types of pipes, which require a permanent BSP or Flanged off take.

AS4793 Certified for use with Polyethylene (PE) pipes for pressure applications

Manufactured to conform to WaterMark AS4129 standards.

### Components

<b>Shell:</b>	Grade 316 Stainless steel. Fully passivized after welding
<b>Tappings:</b>	Grade 316 Stainless steel, DN 15mm to DN100mm BSP Rp parallel threaded socket. Flanges SS316, standard AS4087 PN16, drilled to Table D (DN80 to DN150). Other configurations avail
<b>Gasket:</b>	Nitrile, to AS1646 and AS4020. The gasket is specially designed with a static seal and a dynamic lip seal. Also incorporated into the seal is an internal stainless steel retaining disc, which prevents the seal and mat from extruding out, under extreme internal pressure. This specially designed seal allows for pipe outside diameter changes, caused by pressurizing and depressurizing of the pipe.
<b>Locking Washer Plate:</b>	Grade 316 Stainless steel. Locks into position for easy tightening of nuts
<b>Receiver Bars:</b>	Grade 316 Stainless steel TIG-welded to shell to form a strong fusion. Fully passivized after welding
<b>Lugs:</b>	Grade 316 Stainless steel MIG-welded to receiver bar and fully passivized after welding. Leading edge is rounded to prevent them from catching bolt bars during installation
<b>Bolts:</b>	Grade 316 Stainless steel Thread-rolled for strength and coated to prevent galling. Bolts are MIG-welded to the receiver bar and fully passivized after welding.
<b>Nuts/Washers:</b>	Grade 316 Stainless steel



### General Information

Versatile design to fit a range of pipe ODs in one saddle, and able to adapt to the pipe ovality and irregularities.

The strong Stainless steel shells reinforce the pipe at the tapping point.

The tapping saddle seal is purpose designed to incorporate a static seal and a dynamic lip seal.

Embedded into the seal is an internal stainless steel retaining disc, which prevents the seal and mat from extruding out, under extreme internal pressure.

This unique seal allows for pipe outside diameter changes, caused by pressurizing and depressurizing of the pipe.

CT Tapping Saddles have a fully lined rubber mat designed to insulate the pipe and protect it from galvanic corrosion



## Operating Pressure

The pressure containing capability of a saddle is influenced by the pipe type, the pipe surface finish, extent of damage to the pipe, environment, service conditions and installation workmanship.

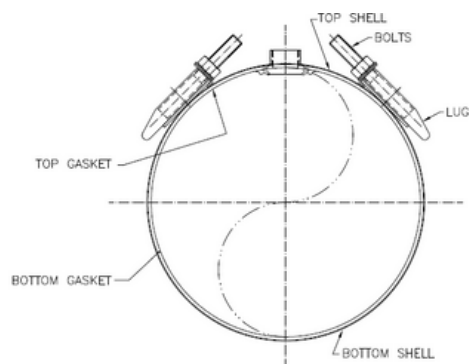
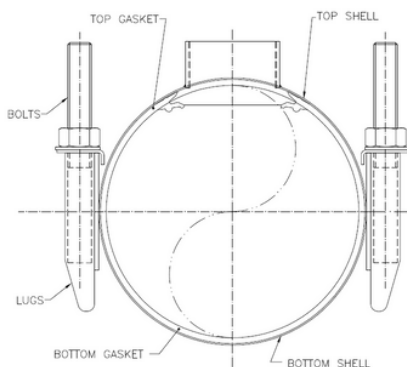
Smaller diameter saddles will contain higher pressure than larger diameter saddles. Cleaning and lubricating pipe/gasket, will reduce friction between the pipe surface and sealing gasket, creating a better seal. Use soapy water or pipe lubricate.

PIPE DN	CLAMP OD RANGE	OPERATING PRESSURE	RATING
80mm - 600mm	75mm - 680mm	1600kPa	PN16
650mm - 900mm	680mm - 980mm	1200kPa	PN12
950mm+	980mm - 1200mm	1000kPa	PN10

**Maximum Temperature:** 0 - 60 degrees C.\*

## Saddle length

PIPE DN	SADDLE WIDTH
DN20mm, 25mm	130mm
DN32mm, 40mm, 50mm	150mm
DN65mm, 80mm	200mm
DN100mm, 150mm	300mm



## Installation instructions

Clean and remove any debris around the host pipe where the tapping saddle will be placed.

Check for any pipe damage, if present relocate the saddle.

Disassemble the tapping saddle and install around the host pipe.

Hand-tighten the nuts and position off-take as required.

Tension the nuts, evenly, uniformly, and keep gaps between segments equal. Do not fully tension one nut at a time, slowly tension nuts, moving from one nut to another, until recommended final tension is applied to all the nuts.

Recheck the tension on all the nuts 10 minutes later.

Mechanically support the off-take fittings separately to the tapping saddle.

It is recommended to pressure test the tapping saddle and fittings before drilling into the pipe.

Tighten the nuts to recommended torque (M16 135Nm) (M12 95Nm).

# CT TAPPING SADDLE PART NUMBERS

Product Code	Description
CT2-75/90x20BSP	316SS Tapping Saddle OD75-90mm x 20BSP
CT2-75/90x25BSP	316SS Tapping Saddle OD75-90mm x 25BSP
CT2-88/108x20BSP	316SS Tapping Saddle OD88-108mm x 20BSP
CT2-88/108x25BSP	316SS Tapping Saddle OD88-108mm x 25BSP
CT2-88/108x32BSP	316SS Tapping Saddle OD88-108mm x 32BSP
CT2-88/108x40BSP	316SS Tapping Saddle OD88-108mm x 40BSP
CT2-88/108x50BSP	316SS Tapping Saddle OD88-108mm x 50BSP
CT2-110/135x20BSP	316SS Tapping Saddle OD110-135mm x 20BSP
CT2-110/135x25BSP	316SS Tapping Saddle OD110-135mm x 25BSP
CT2-110/135x32BSP	316SS Tapping Saddle OD110-135mm x 32BSP
CT2-110/135x40BSP	316SS Tapping Saddle OD110-135mm x 40BSP
CT2-110/135x50BSP	316SS Tapping Saddle OD110-135mm x 50BSP
CT2-135/160x20BSP	316SS Tapping Saddle OD135-160mm x 20BSP
CT2-135/160x25BSP	316SS Tapping Saddle OD135-160mm x 25BSP
CT2-135/160x32BSP	316SS Tapping Saddle OD135-160mm x 32BSP
CT2-135/160x40BSP	316SS Tapping Saddle OD135-160mm x 40BSP
CT2-135/160x50BSP	316SS Tapping Saddle OD135-160mm x 50BSP
CT2-135/160x80BSP	316SS Tapping Saddle OD135-160mm x 80BSP
CT2-135/160x80TD	316SS Tapping Saddle OD135-160mm x 80TD
CT2-160/190x20BSP	316SS Tapping Saddle OD160-190mm x 20BSP
CT2-160/190x25BSP	316SS Tapping Saddle OD160-190mm x 25BSP
CT2-160/190x32BSP	316SS Tapping Saddle OD160-190mm x 32BSP
CT2-160/190x40BSP	316SS Tapping Saddle OD160-190mm x 40BSP
CT2-160/190x50BSP	316SS Tapping Saddle OD160-190mm x 50BSP
CT2-160/190x80BSP	316SS Tapping Saddle OD160-190mm x 80BSP
CT2-160/190x80TD	316SS Tapping Saddle OD160-190mm x 80TD
CT2-190/220x20BSP	316SS Tapping Saddle OD190-220mm x 20BSP
CT2-190/220x25BSP	316SS Tapping Saddle OD190-220mm x 25BSP
CT2-190/220x32BSP	316SS Tapping Saddle OD190-220mm x 32BSP
CT2-190/220x40BSP	316SS Tapping Saddle OD190-220mm x 40BSP
CT2-190/220x50BSP	316SS Tapping Saddle OD190-220mm x 50BSP
CT2-190/220x80BSP	316SS Tapping Saddle OD190-220mm x 80BSP
CT2-190/220x100BSP	316SS Tapping Saddle OD190-220mm x 100BSP
CT2-190/220x80TD	316SS Tapping Saddle OD190-220mm x 80TD
CT2-190/220x100TD	316SS Tapping Saddle OD190-220mm x 100TD
CT2-210/240x20BSP	316SS Tapping Saddle OD210-240mm x 20BSP
CT2-210/240x25BSP	316SS Tapping Saddle OD210-240mm x 25BSP
CT2-210/240x32BSP	316SS Tapping Saddle OD210-240mm x 32BSP
CT2-210/240x40BSP	316SS Tapping Saddle OD210-240mm x 40BSP
CT2-210/240x50BSP	316SS Tapping Saddle OD210-240mm x 50BSP
CT2-210/240x80BSP	316SS Tapping Saddle OD210-240mm x 80BSP
CT2-210/240x100BSP	316SS Tapping Saddle OD210-240mm x 100BSP
CT2-210/240x80TD	316SS Tapping Saddle OD210-240mm x 80TD
CT2-210/240x100TD	316SS Tapping Saddle OD210-240mm x 100TD
CT2-240/270x20BSP	316SS Tapping Saddle OD240-270mm x 20BSP
CT2-240/270x25BSP	316SS Tapping Saddle OD240-270mm x 25BSP

Product Code	Description
CT2-240/270x32BSP	316SS Tapping Saddle OD240-270mm x 32BSP
CT2-240/270x40BSP	316SS Tapping Saddle OD240-270mm x 40BSP
CT2-240/270x50BSP	316SS Tapping Saddle OD240-270mm x 50BSP
CT2-240/270x80BSP	316SS Tapping Saddle OD240-270mm x 80BSP
CT2-240/270x100BSP	316SS Tapping Saddle OD240-270mm x 100BSP
CT2-240/270x80TD	316SS Tapping Saddle OD240-270mm x 80TD
CT2-240/270x100TD	316SS Tapping Saddle OD240-270mm x 100TD
CT2-270/300x20BSP	316SS Tapping Saddle OD270-300mm x 20BSP
CT2-270/300x25BSP	316SS Tapping Saddle OD270-300mm x 25BSP
CT2-270/300x32BSP	316SS Tapping Saddle OD270-300mm x 32BSP
CT2-270/300x40BSP	316SS Tapping Saddle OD270-300mm x 40BSP
CT2-270/300x50BSP	316SS Tapping Saddle OD270-300mm x 50BSP
CT2-270/300x80BSP	316SS Tapping Saddle OD270-300mm x 80BSP
CT2-270/300x100BSP	316SS Tapping Saddle OD270-300mm x 100BSP
CT2-270/300x80TD	316SS Tapping Saddle OD270-300mm x 80TD
CT2-270/300x100TD	316SS Tapping Saddle OD270-300mm x 100TD
CT2-300/330x20BSP	316SS Tapping Saddle OD300-330mm x 20BSP
CT2-300/330x25BSP	316SS Tapping Saddle OD300-330mm x 25BSP
CT2-300/330x32BSP	316SS Tapping Saddle OD300-330mm x 32BSP
CT2-300/330x40BSP	316SS Tapping Saddle OD300-330mm x 40BSP
CT2-300/330x50BSP	316SS Tapping Saddle OD300-330mm x 50BSP
CT2-300/330x80BSP	316SS Tapping Saddle OD300-330mm x 80BSP
CT2-300/330x100BSP	316SS Tapping Saddle OD300-330mm x 100BSP
CT2-300/330x80TD	316SS Tapping Saddle OD300-330mm x 80TD
CT2-300/330x100TD	316SS Tapping Saddle OD300-330mm x 100TD
CT2-330/360x20BSP	316SS Tapping Saddle OD330-360mm x 20BSP
CT2-330/360x25BSP	316SS Tapping Saddle OD330-360mm x 25BSP
CT2-330/360x32BSP	316SS Tapping Saddle OD330-360mm x 32BSP
CT2-330/360x40BSP	316SS Tapping Saddle OD330-360mm x 40BSP
CT2-330/360x50BSP	316SS Tapping Saddle OD330-360mm x 50BSP
CT2-330/360x80BSP	316SS Tapping Saddle OD330-360mm x 80BSP
CT2-330/360x100BSP	316SS Tapping Saddle OD330-360mm x 100BSP
CT2-330/360x80TD	316SS Tapping Saddle OD330-360mm x 80TD
CT2-330/360x100TD	316SS Tapping Saddle OD330-360mm x 100TD
CT2-360/390x20BSP	316SS Tapping Saddle OD360-390mm x 20BSP
CT2-360/390x25BSP	316SS Tapping Saddle OD360-390mm x 25BSP
CT2-360/390x32BSP	316SS Tapping Saddle OD360-390mm x 32BSP
CT2-360/390x40BSP	316SS Tapping Saddle OD360-390mm x 40BSP
CT2-360/390x50BSP	316SS Tapping Saddle OD360-390mm x 50BSP
CT2-360/390x80BSP	316SS Tapping Saddle OD360-390mm x 80BSP
CT2-360/390x100BSP	316SS Tapping Saddle OD360-390mm x 100BSP
CT2-360/390x80TD	316SS Tapping Saddle OD360-390mm x 80TD
CT2-360/390x100BSP	316SS Tapping Saddle OD360-390mm x 100BSP
CT2-390/420x20BSP	316SS Tapping Saddle OD390-420mm x 20BSP
CT2-390/420x25BSP	316SS Tapping Saddle OD390-420mm x 25BSP
CT2-390/420x32BSP	316SS Tapping Saddle OD390-420mm x 32BSP
CT2-390/420x40BSP	316SS Tapping Saddle OD390-420mm x 40BSP
CT2-390/420x50BSP	316SS Tapping Saddle OD390-420mm x 50BSP

# CT TAPPING SADDLE PART NUMBERS

Product code	Description
CT2-390/420x80BSP	316SS Tapping Saddle OD390-420mm x 80BSP
CT2-390/420x100BSP	316SS Tapping Saddle OD390-420mm x 100BSP
CT2-390/420x80TD	316SS Tapping Saddle OD390-420mm x 80TD
CT2-390/420x100TD	316SS Tapping Saddle OD390-420mm x 100TD
CT2-420/450x20BSP	316SS Tapping Saddle OD420-450mm x 20BSP
CT2-420/450x25BSP	316SS Tapping Saddle OD420-450mm x 25BSP
CT2-420/450x32BSP	316SS Tapping Saddle OD420-450mm x 32BSP
CT2-420/450x40BSP	316SS Tapping Saddle OD420-450mm x 40BSP
CT2-420/450x50BSP	316SS Tapping Saddle OD420-450mm x 50BSP
CT2-420/450x80BSP	316SS Tapping Saddle OD420-450mm x 80BSP
CT2-420/450x100BSP	316SS Tapping Saddle OD420-450mm x 100BSP
CT2-420/450x80TD	316SS Tapping Saddle OD420-450mm x 80TD
CT2-420/450x100TD	316SS Tapping Saddle OD420-450mm x 100TD
CT2-440/470x20BSP	316SS Tapping Saddle OD440-470mm x 20BSP
CT2-440/470x25BSP	316SS Tapping Saddle OD440-470mm x 25BSP
CT2-440/470x32BSP	316SS Tapping Saddle OD440-470mm x 32BSP
CT2-440/470x40BSP	316SS Tapping Saddle OD440-470mm x 40BSP
CT2-440/470x50BSP	316SS Tapping Saddle OD440-470mm x 50BSP
CT2-440/470x80BSP	316SS Tapping Saddle OD440-470mm x 80BSP
CT2-440/470x100BSP	316SS Tapping Saddle OD440-470mm x 100BSP
CT2-440/470x80TD	316SS Tapping Saddle OD440-470mm x 80TD
CT2-440/470x100TD	316SS Tapping Saddle OD440-470mm x 100TD
CT2-450/480x20BSP	316SS Tapping Saddle OD450-480mm x 20BSP
CT2-450/480x25BSP	316SS Tapping Saddle OD450-480mm x 25BSP
CT2-450/480x32BSP	316SS Tapping Saddle OD450-480mm x 32BSP
CT2-450/480x40BSP	316SS Tapping Saddle OD450-480mm x 40BSP
CT2-450/480x50BSP	316SS Tapping Saddle OD450-480mm x 50BSP
CT2-450/480x80BSP	316SS Tapping Saddle OD450-480mm x 80BSP
CT2-450/480x100BSP	316SS Tapping Saddle OD450-480mm x 100BSP
CT2-450/480x80TD	316SS Tapping Saddle OD450-480mm x 80TD
CT2-450/480x100TD	316SS Tapping Saddle OD450-480mm x 100TD
CT2-470/500x20BSP	316SS Tapping Saddle OD470-500mm x 20BSP
CT2-470/500x25BSP	316SS Tapping Saddle OD470-500mm x 25BSP
CT2-470/500x32BSP	316SS Tapping Saddle OD470-500mm x 32BSP
CT2-470/500x40BSP	316SS Tapping Saddle OD470-500mm x 40BSP
CT2-470/500x50BSP	316SS Tapping Saddle OD470-500mm x 50BSP
CT2-470/500x80BSP	316SS Tapping Saddle OD470-500mm x 80BSP
CT2-470/500x100BSP	316SS Tapping Saddle OD470-500mm x 100BSP
CT2-470/500x80TD	316SS Tapping Saddle OD470-500mm x 80TD
CT2-470/500x100TD	316SS Tapping Saddle OD470-500mm x 100TD
CT2-490/520x20BSP	316SS Tapping Saddle OD490-520mm x 20BSP
CT2-490/520x25BSP	316SS Tapping Saddle OD490-520mm x 25BSP
CT2-490/520x32BSP	316SS Tapping Saddle OD490-520mm x 32BSP
CT2-490/520x40BSP	316SS Tapping Saddle OD490-520mm x 40BSP
CT2-490/520x50BSP	316SS Tapping Saddle OD490-520mm x 50BSP
CT2-490/520x80BSP	316SS Tapping Saddle OD490-520mm x 80BSP

Product code	Description
CT2-490/520x100BSP	316SS Tapping Saddle OD490-520mm x 100BSP
CT2-490/520x80TD	316SS Tapping Saddle OD490-520mm x 80TD
CT2-490/520x100TD	316SS Tapping Saddle OD490-520mm x 100TD
CT2-520/550x20BSP	316SS Tapping Saddle OD520-550mm x 20BSP
CT2-520/550x25BSP	316SS Tapping Saddle OD520-550mm x 25BSP
CT2-520/550x32BSP	316SS Tapping Saddle OD520-550mm x 32BSP
CT2-520/550x40BSP	316SS Tapping Saddle OD520-550mm x 40BSP
CT2-520/550x50BSP	316SS Tapping Saddle OD520-550mm x 50BSP
CT2-520/550x80BSP	316SS Tapping Saddle OD520-550mm x 80BSP
CT2-520/550x100BSP	316SS Tapping Saddle OD520-550mm x 100BSP
CT2-520/550x80TD	316SS Tapping Saddle OD520-550mm x 80TD
CT2-520/550x100TD	316SS Tapping Saddle OD520-550mm x 100TD
CT2-550/580x20BSP	316SS Tapping Saddle OD550-580mm x 20BSP
CT2-550/580x25BSP	316SS Tapping Saddle OD550-580mm x 25BSP
CT2-550/580x32BSP	316SS Tapping Saddle OD550-580mm x 32BSP
CT2-550/580x40BSP	316SS Tapping Saddle OD550-580mm x 40BSP
CT2-550/580x50BSP	316SS Tapping Saddle OD550-580mm x 50BSP
CT2-550/580x80BSP	316SS Tapping Saddle OD550-580mm x 80BSP
CT2-550/580x100BSP	316SS Tapping Saddle OD550-580mm x 100BSP
CT2-550/580x80TD	316SS Tapping Saddle OD550-580mm x 80TD
CT2-550/580x100TD	316SS Tapping Saddle OD550-580mm x 100TD
CT2-580/610x20BSP	316SS Tapping Saddle OD580-610mm x 20BSP
CT2-580/610x25BSP	316SS Tapping Saddle OD580-610mm x 25BSP
CT2-580/610x32BSP	316SS Tapping Saddle OD580-610mm x 32BSP
CT2-580/610x40BSP	316SS Tapping Saddle OD580-610mm x 40BSP
CT2-580/610x50BSP	316SS Tapping Saddle OD580-610mm x 50BSP
CT2-580/610x80BSP	316SS Tapping Saddle OD580-610mm x 80BSP
CT2-580/610x100BSP	316SS Tapping Saddle OD580-610mm x 100BSP
CT2-580/610x80TD	316SS Tapping Saddle OD580-610mm x 80TD
CT2-580/610x100TD	316SS Tapping Saddle OD580-610mm x 100TD
CT2-610/640x20BSP	316SS Tapping Saddle OD610-640mm x 20BSP
CT2-610/640x25BSP	316SS Tapping Saddle OD610-640mm x 25BSP
CT2-610/640x32BSP	316SS Tapping Saddle OD610-640mm x 32BSP
CT2-610/640x40BSP	316SS Tapping Saddle OD610-640mm x 40BSP
CT2-610/640x50BSP	316SS Tapping Saddle OD610-640mm x 50BSP
CT2-610/640x80BSP	316SS Tapping Saddle OD610-640mm x 80BSP
CT2-610/640x100BSP	316SS Tapping Saddle OD610-640mm x 100BSP
CT2-610/640x80TD	316SS Tapping Saddle OD610-640mm x 80TD
CT2-610/640x100TD	316SS Tapping Saddle OD610-640mm x 100TD
CT2-650/680x20BSP	316SS Tapping Saddle OD650-680mm x 20BSP
CT2-650/680x25BSP	316SS Tapping Saddle OD650-680mm x 25BSP
CT2-650/680x32BSP	316SS Tapping Saddle OD650-680mm x 32BSP
CT2-650/680x40BSP	316SS Tapping Saddle OD650-680mm x 40BSP
CT2-650/680x50BSP	316SS Tapping Saddle OD650-680mm x 50BSP
CT2-650/680x80BSP	316SS Tapping Saddle OD650-680mm x 80BSP
CT2-650/680x100BSP	316SS Tapping Saddle OD650-680mm x 100BSP
CT2-650/680x80TD	316SS Tapping Saddle OD650-680mm x 80TD
CT2-650/680x100TD	316SS Tapping Saddle OD650-680mm x 100TD

**NOTE: Larger host pipe clamp sizes available on request**